

Topplate: powdercoated black RAL9005

Powersupply: 220-230 V

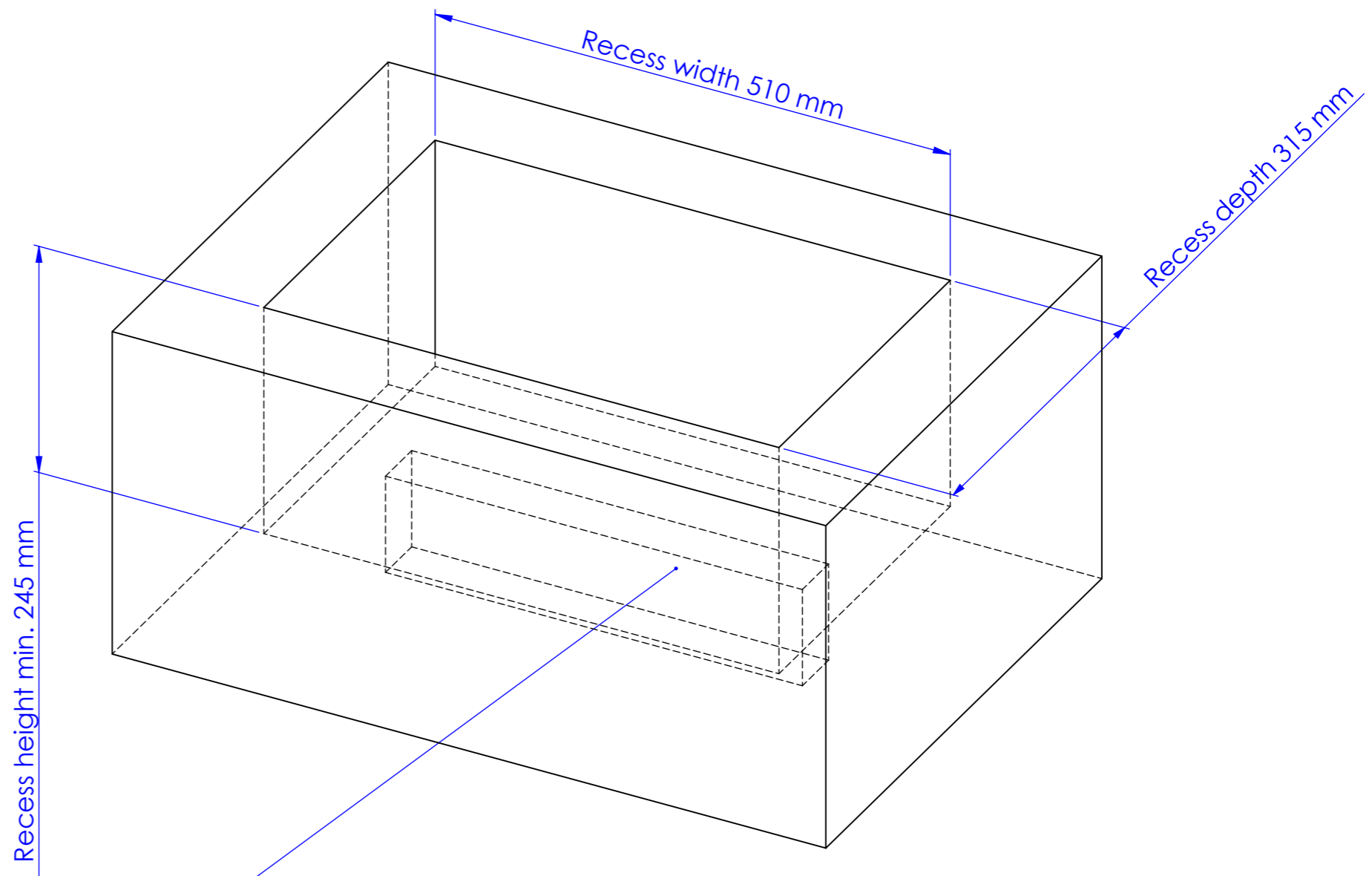
Power consumption: 225 -240 Watt

Water reservoir: 2 litres

Running hours manual filling (tank): 6-8 hours

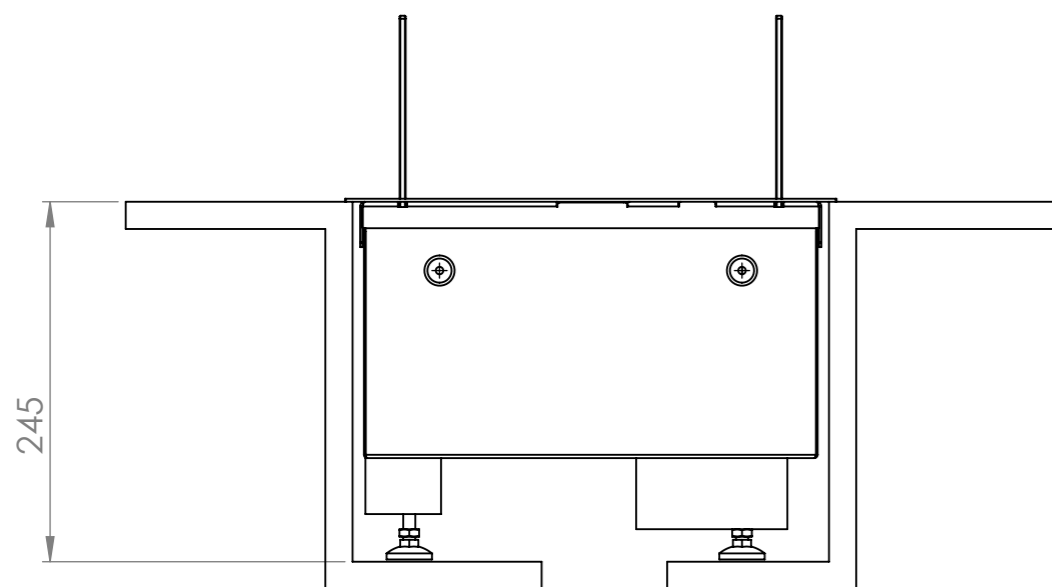
Running hours automatic filling (main water): no time restriction

Part Number: Mistero 500		DESCRIPTION: Mistero 500		Metaalstraat 3a/3c 7483 PD Haaksbergen 0031 (0)53-5742554 0031 (0)53-5743453		safretti®	
General tol. ± 0,5mm General angle tol. ± 0,5° General flatness tol. 2mm per meter <b>unless otherwise specified</b>				REVISION:		POS.NR:	
Weight:		Drawned: P. van den Berg		MATERIAL:		Quantity:	
		Am. Proj.		Scale: 1:5		Date: 31-10-2019	
		file-name.: Mistero 500		Size: A3			



Create min. 4 holes of diameter 100 mm for air ventilation /power supply in any of the sidewalls of the recess area.

Air ventilation should be at least: 210 cm<sup>2</sup> (21x10cm) for a Mistero 500.



Part Number: Mistero 500		DESCRIPTION: Metaalstraat 3a/3c 7483 PD Haaksbergen 0031 (0)53-5742554 0031 (0)53-5743453		safretti®	
General tol. ± 0,5mm General angle tol. ± 0,5° General flatness tol. 2mm per meter <b>unless otherwise specified</b>		Cut-out dimensions		REVISION:	POS.NR:
				MATERIAL:	Quantity:
Weight:	Drawn: P. van den Berg	Am. Proj.	Scale: 1:5	Date: 31-10-2019	file-name.: Mistero 500
				Size: A3	